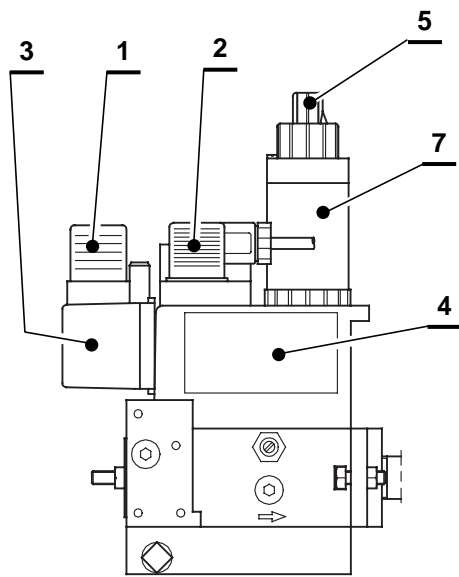


Rampe gas bistadio Two stage gas trains Rampes gaz duex allures Zweistufige Gasstrecken

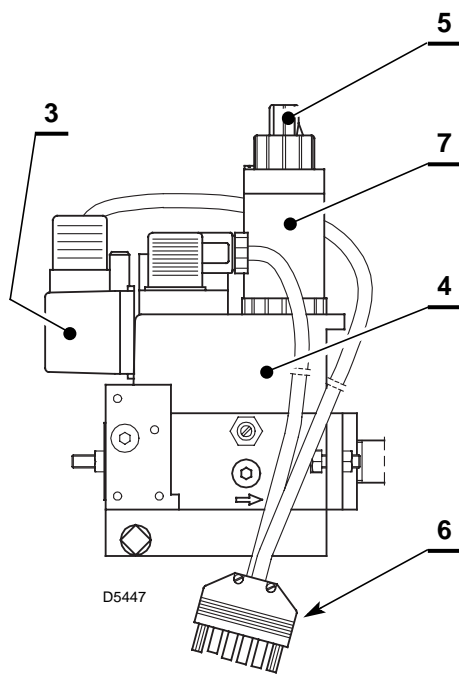
COD.	TIPO - TYPE - TYP
3970555	MBZRDLE 405 B01
3970084	MBZRDLE 405 B01
3970539	MBZRDLE 405 B01
3970540	MBZRDLE 405 B01
3970556	MBZRDLE 407 B01
3970538	MBZRDLE 407 B01
3970537	MBZRDLE 407 B01
3970541	MBZRDLE 407 B01

COD.	TIPO - TYPE - TYP
3970557	MBZRDLE 410 B01
3970542	MBZRDLE 410 B01
3970534	MBZRDLE 410 B01
3970543	MBZRDLE 412 B01
3970527	MBZRDLE 412 B01
3970582	MBZRDLE 415 B01



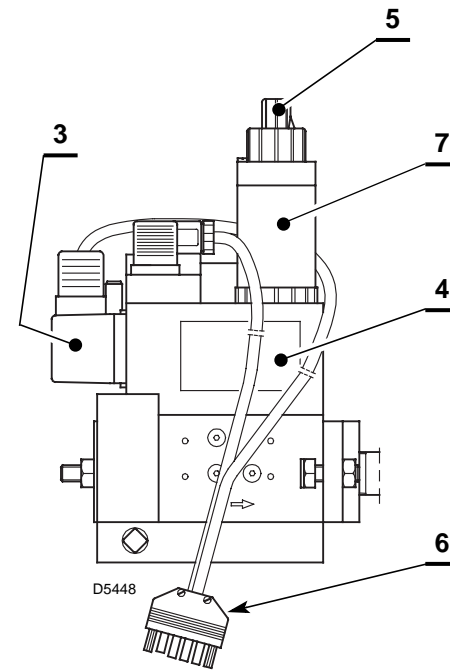
D5446

MBZRDLE 405 B01
3970555
MBZRDLE 407 B01
3970556
MBZRDLE 410 B01
3970557



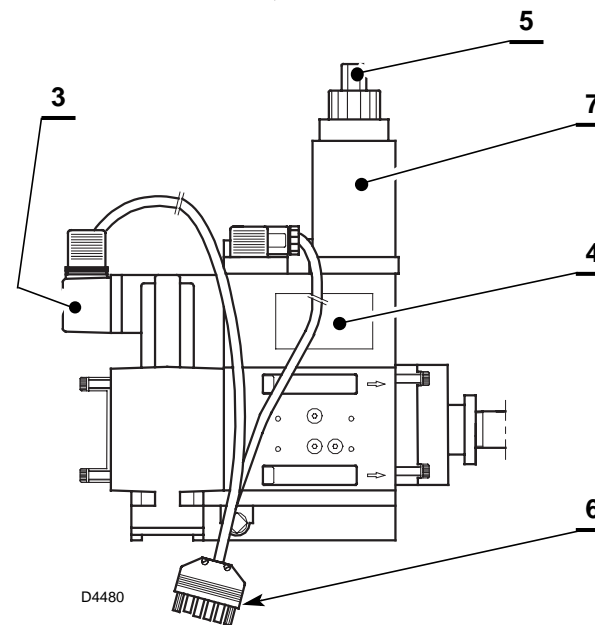
D5447

MBZRDLE 405 B01
3970084
3970539
3970540
MBZRDLE 407 B01
3970537
3970538
3970541
MBZRDLE 410 B01
3970534
3970542



D5448

MBZRDLE 412 B01
3970527
3970543



D4480

MBZRDLE 415 B01
3970582

N.	COD.	3970084	3970527	3970534	3970537	3970538	3970539	3970540	3970541	3970542	3970543	3970555	3970556	3970557	3970582	DESCRIZIONE	DESCRIPTION	DESCRIPTION	BESCHREIBUNG
1	3008518											•				COLLEGAMENTO	LEAD	CABLE DE CONNEXION	VERBINDINGSKABEL
1	3008519												•	•		COLLEGAMENTO	LEAD	CABLE DE CONNEXION	VERBINDINGSKABEL
2	3008520											•	•	•		COLLEGAMENTO	LEAD	CABLE DE CONNEXION	VERBINDINGSKABEL
3	3012196	•	•	•	•	•	•	•	•	•	•	•	•	•	•	PRESSOSTATO	PRESSURE SWITCH	PRESSOSTAT	PRESSOSTAT
4	3008529	•			•	•	•	•	•	•		•	•			BOBINA 1° STADIO	1st STAGE COIL	BOBINE 1ère ALLURE	1. STUFE MV SPULE
4	3008527		•	•						•	•			•	•	BOBINA 1° STADIO	1st STAGE COIL	BOBINE 1ère ALLURE	1. STUFE MV SPULE
5	3008524	•	•	•	•	•	•	•	•	•	•	•	•	•	•	FRENO IDRAULICO	HYDRAULIC CYLINDER	FREIN HYDRAULIQUE	DÄMPFUNGSPATRONE
6	3008523	•	•	•	•	•	•	•	•	•	•	•	•	•	•	COLLEGAMENTO	LEAD	CABLE DE CONNEXION	VERBINDINGSKABEL
7	3008528	•			•	•	•	•	•			•	•			BOBINA 2° STADIO	2nd STAGE COIL	BOBINE 2ème ALLURE	2. STUFE MV SPULE
7	3008526		•	•						•	•			•	•	BOBINA 2° STADIO	2nd STAGE COIL	BOBINE 2ème ALLURE	2. STUFE MV SPULE

